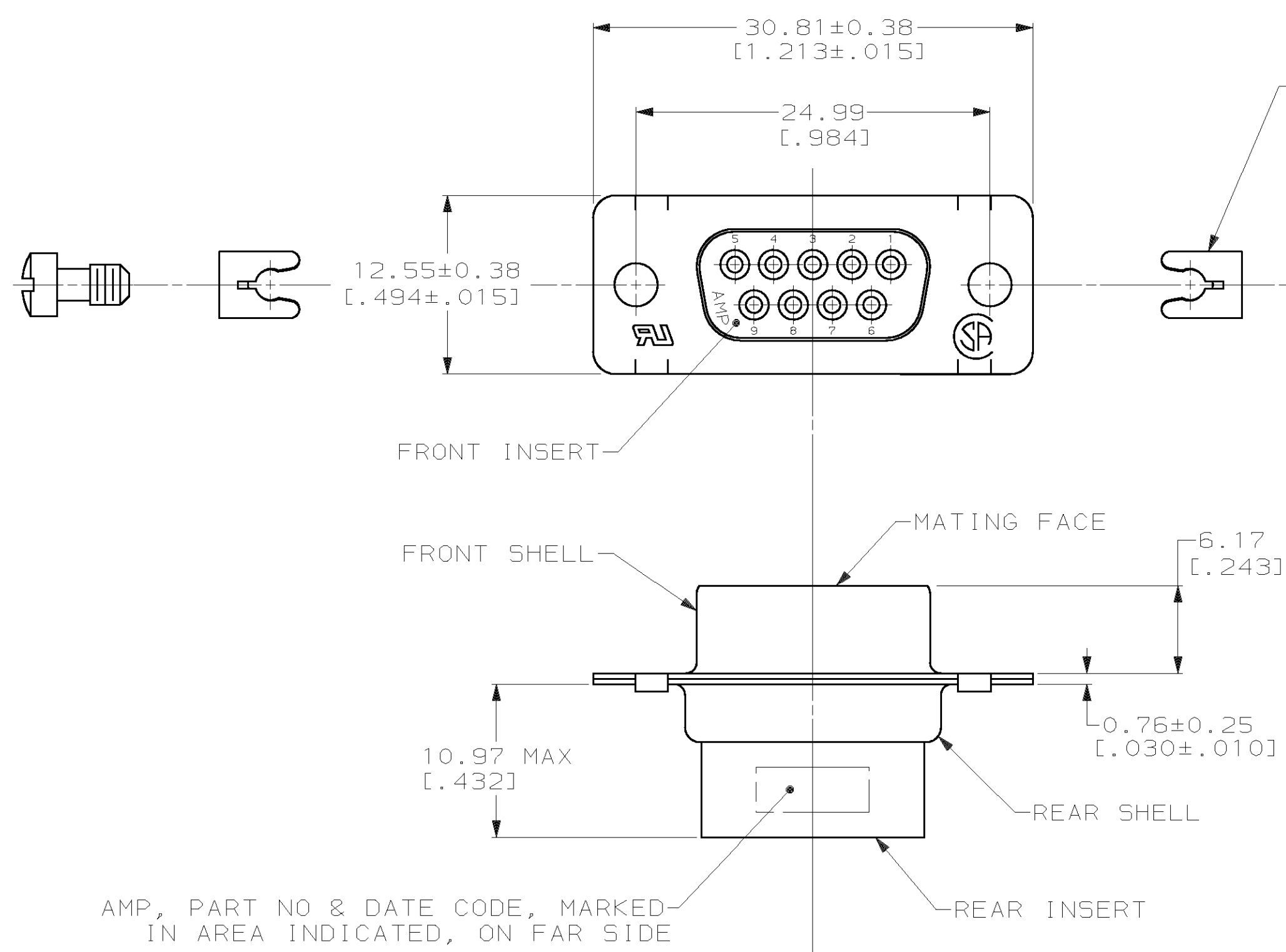
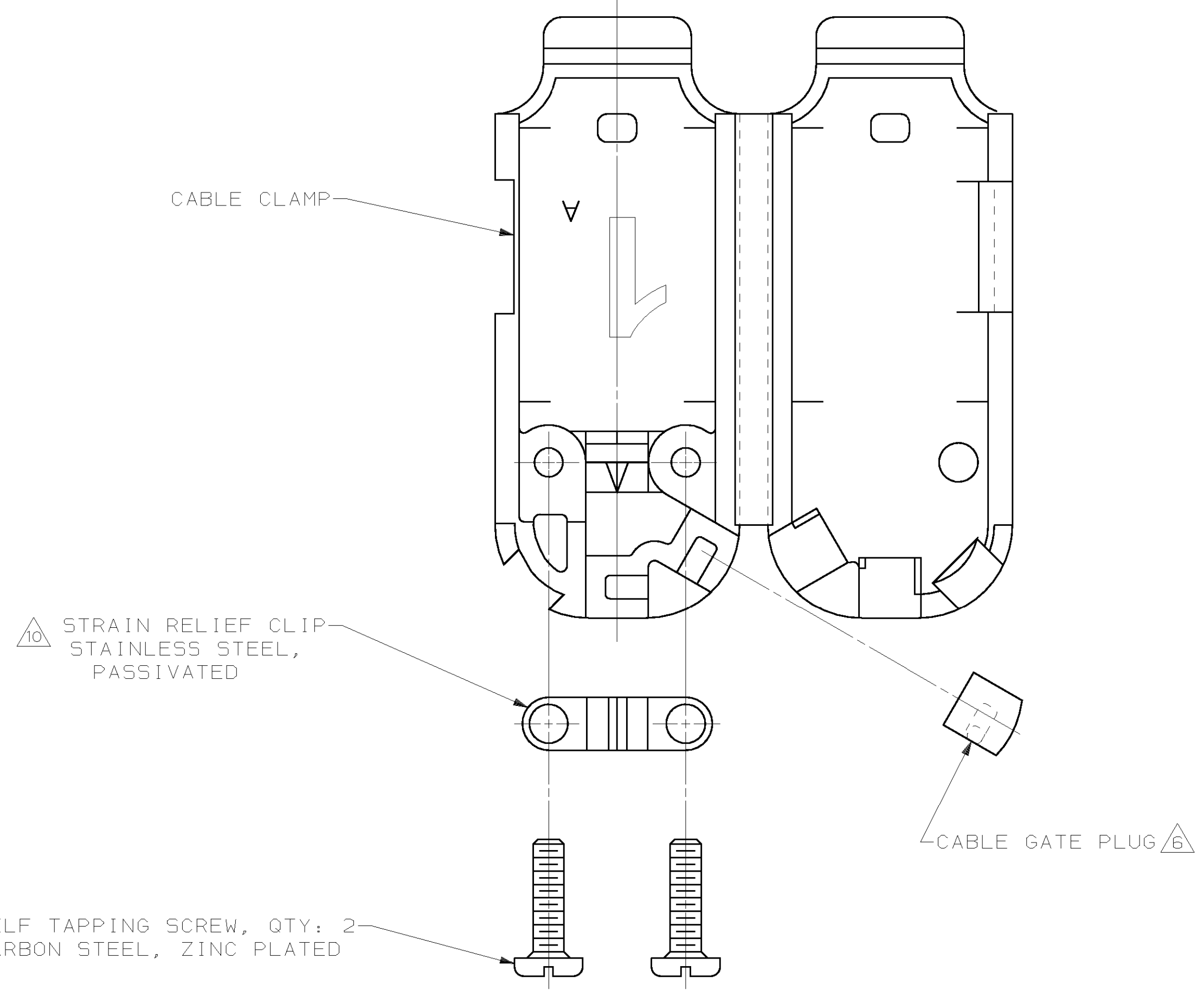
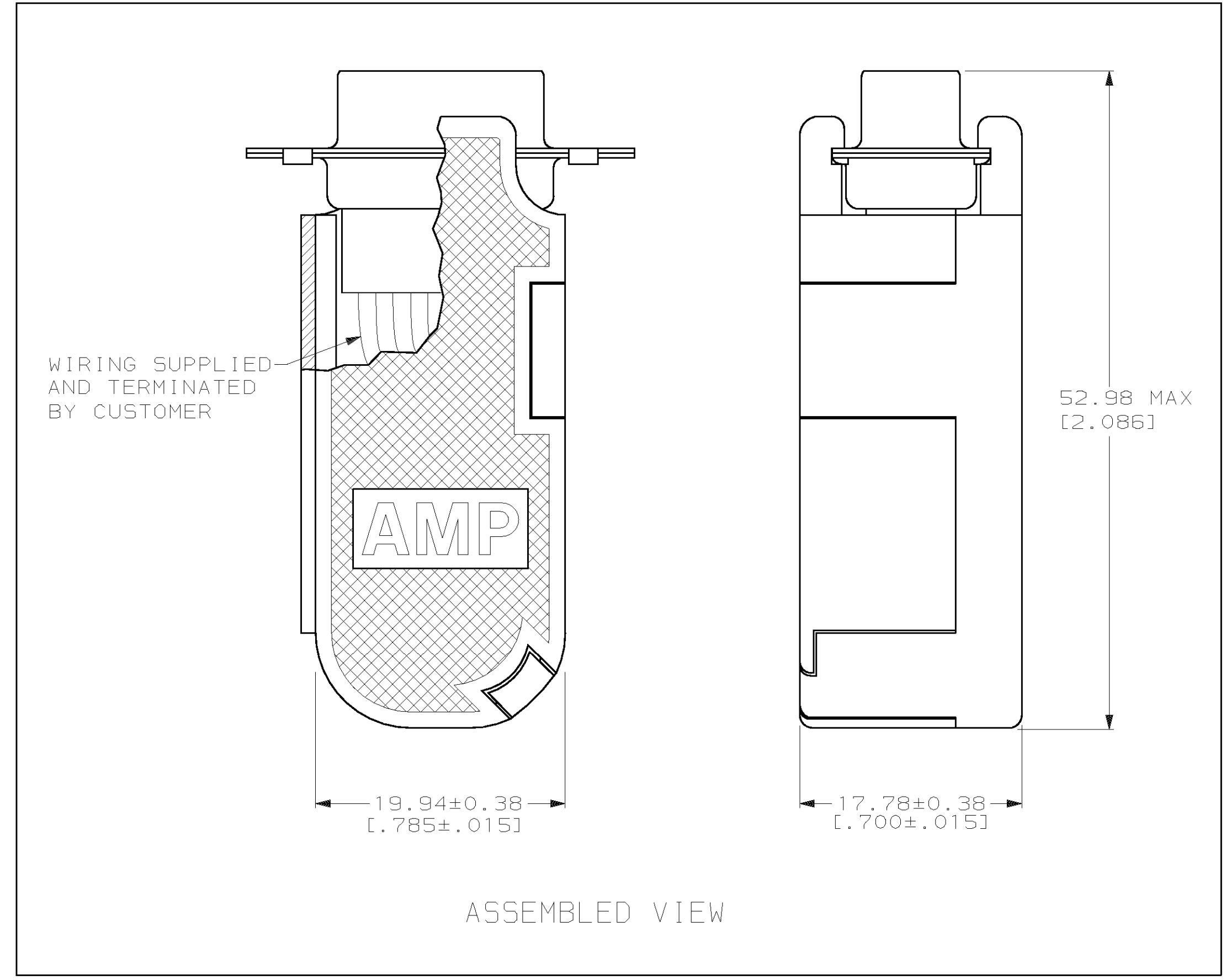
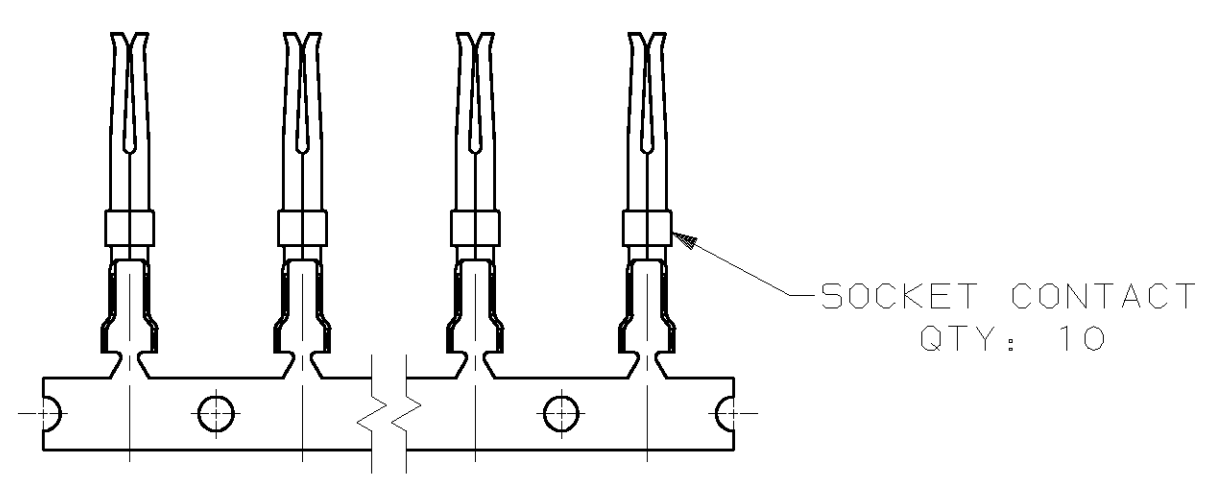


LOC	DIST	P	F	ZONE	LTR	DESCRIPTION	DATE	APPD
BD	48					RELEASED PER NPR 2503	1-4-90	-
						REV PER ECN BD4220	07/27/90	JW
						REV PER ECN BD5736	08/26/92	RM
						REV PER EC 0020-84-93	06/07/93	SB
						REV PER EC 0420-9-98	16 FEB 98	JK
						REV PER EC 0U1D-0123-00	17 APR 00	JK



RETAINER CLIP, QTY: 2
 STAINLESS STEEL

RETAINER SCREW, QTY: 2
 CARBON STEEL, 3.81µm [.000150]
 MIN ZINC YELLOW CHROMATE



1. CONTACTS ACCEPT 20-24 AWG RANGE.
2. NYLON, GLASS FILLED, UL 94V-0 RATED, BLACK.
3. POLYPROPYLENE, BLACK
4. PHOSPHOR BRONZE.
5. CARBON STEEL.
6. CABLE GATE PLUG TO BE PLACED IN CABLE EXIT NOT BEING USED.
7. GOLD PLATING PER MIL-G-45204; NICKEL PLATING PER QQ-N-290; TIN PLATING PER MIL-T-10727; COPPER PLATING PER MIL-C-14550; ZINC PLATING PER ASTM B633, TYPE II, CLASS SC1.
8. GOLD FLASH FOR A LENGTH OF 2.54[.100] MIN FROM MATING END, 2.54µm[.000100] MIN TIN OR TIN-LEAD ON OPPOSITE END FOR A LENGTH OF 4.06 [.160] MIN FROM END OF INSULATION BARREL, BOTH OVER 0.76µm[.000030] MIN NICKEL ON ENTIRE CONTACT.
9. 5.08µm[.000200] MIN TIN OVER 1.27µm[.000050] MIN COPPER.
10. STRAIN RELIEF CLIP CAN BE REVERSED FOR PROPER INSTALLATION, DEPENDING ON SIZE OF CABLE DIAMETER.
11. CABLE DIAMETER RANGE = 1.91-6.35 [.075-.250].

DO NOT SCALE PRINT. UNLESS SPECIFIED DIMENSIONS IN mm [INCHES]		DR 1-5-90 W.G. LENKER		749812-1 PART NO	
TOLERANCES ON: 2 PLC DEC ± 0.13 [0.005] 3 PLC DEC ± - ANGLES ± -		CHK 6-4-90 R. STONE		AMP INCORPORATED Harrisburg, Pa. 17105	
MATERIAL INSERTS: 2 CABLE CLAMP: 2		APPD 6-5-90 BOB TAYLOR		NAME RECEPTACLE KIT, UNASSEMBLED, SIZE 1, 9 POSITION, AMPLIMITE® HDP-20	
CONTACTS: 4 SHELLS: 2		APPD 6-6-90 J. ASSINI		PRODUCT SPEC 108-40005	
CABLE GATE PLUG: 2		FINISH 2 CONTACTS: 2 SHELLS: 2		APPLICATION SPEC 114-10000	
SIZE D	CAGE CODE 00779	DRAWING NO 749812-1			
SCALE 3:1	SHEET 1 OF 1				